

# Build Your Own Periodic Table of Elements

As you work through *The Periodic Table of Elements Coloring Book*, you can create your own primary periodic table of elements that can be displayed on a wall!

## What you need:

A 3 to 4 foot wall space or poster board

Wall safe tape, or glue if using poster board

Colored pencils (I used a Crayola 50 pack)

Scissors

*The Periodic Table of Elements Coloring Book* by Teresa Bondora

## Instructions:

Use white paper and print as many sheets of blank squares as necessary to complete your desired table. For example, if you are learning on the the first 18, you only need to print 2 sheets. There are 9 squares on each sheet. For a more sturdy table, print on heavy paper or cardstock. If you want to make a complete table, print 8 sheets.

Print and color the title bar and post at the top of the wall or poster board

As you work through the coloring sheets, fill in one box to correspond with the element you are learning about.

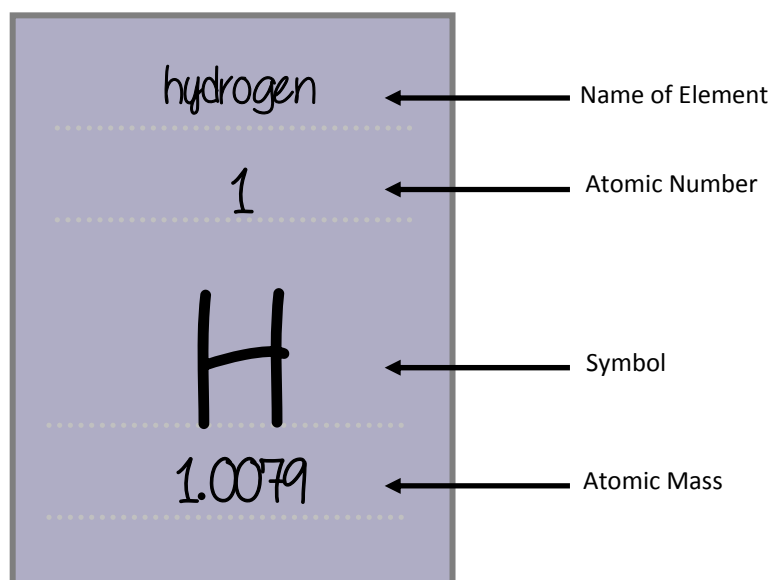
Fill in the name of the element, the atomic number, symbol and atomic weight.

Color in the square. You could color code based on the color of the element (red for boron) or the primary color of it's common use (blue for oxygen).

Cut out each square with scissors

Tape to the wall, or glue to the poster board

For more ways to learn about  
The Periodic Table of Elements,  
visit: [HowToTeachScience.com](http://HowToTeachScience.com)



.....

.....

.....

.....

.....

.....

.....

.....

.....

.....

.....

.....

.....

.....

.....

.....

.....

.....

.....

.....

.....

.....

.....

.....

.....

.....

.....

.....

.....

.....

.....

.....

.....

.....

.....

.....